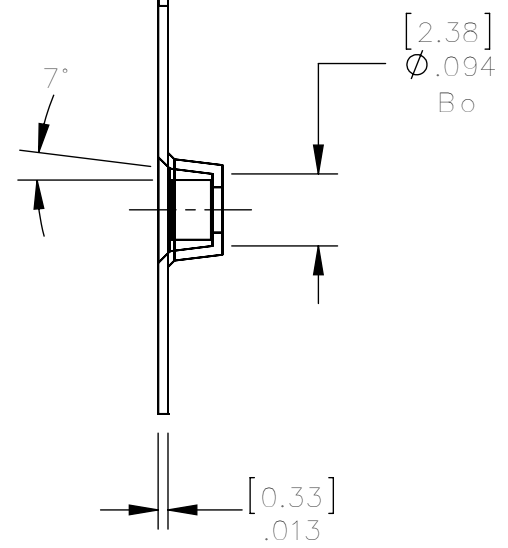
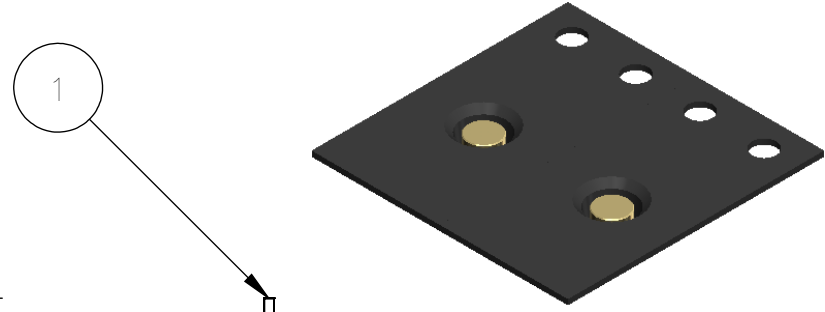
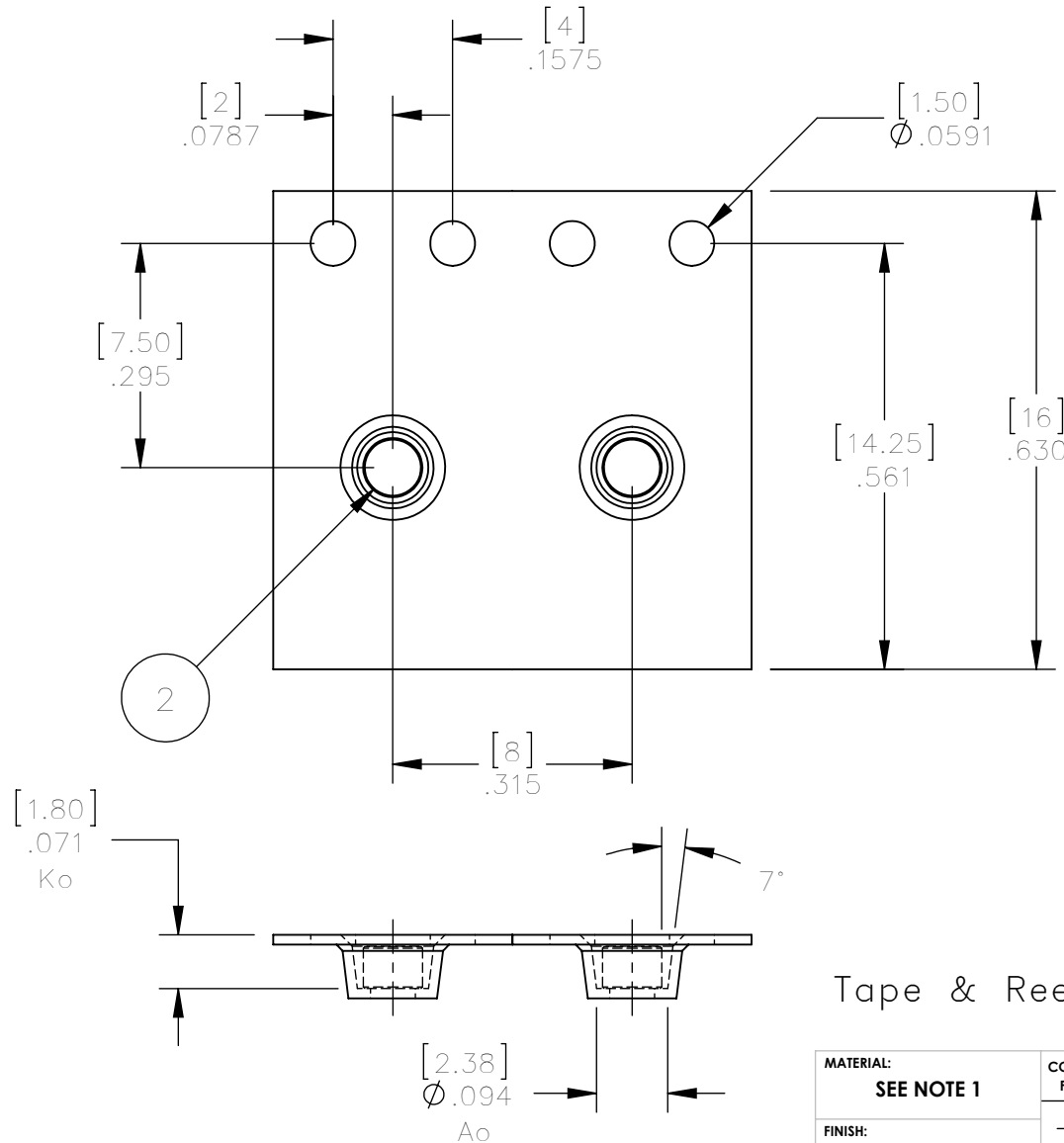


**NOTES:**

- 1. PIN MATERIAL: BRASS ALLOY 360, 1/2 HARD.**
- 2. PIN FINISH: 10 micro inches GOLD OVER 100 micro inches NICKEL.**



4,000 Parts per 13" Reel

Tape & Reel Order: #1578-3-57-15-00-00-03-0

ITEM NO.	PART NUMBER	DESCRIPTION	QTY.
1	P097-00-000-15-783000	TAPE POCKET	1
2	1578-3-00-15-00-00-03-0	DISC	1

REV.	DESCRIPTION	BY	DATE	ECN NO.

<b>MATERIAL:</b> SEE NOTE 1	<b>CORNER BREAKS AND FILLETS:</b> .002" MAX.
<b>FINISH:</b> SEE NOTE 2	
<b>PIN SURFACE AREA:</b> N/A	<b>TOLERANCES UNLESS OTHERWISE SPECIFIED:</b> PIN TOLERANCE: LENGTHS ± .005 DIAMETERS ± .002 ANGLES ± 2
<b>UNITS OF MEASUREMENT:</b> INCHES	<b>INSULATOR TOLERANCE:</b> LENGTHS ± .005 THICKNESS ± .003 HOLE TO HOLE ± .001 NON ACCUMULATIVE

THIS DRAWING CONTAINS INFORMATION PROPRIETARY TO MILL-MAX MFG. CORP. ANY REPRODUCTION OR USE OF THIS DOCUMENT IS PROHIBITED WITHOUT THE WRITTEN CONSENT OF MILL-MAX MFG. CORP.	
<b>DRAWN:</b> Steve C.	<b>DATE:</b> 12/19/15
<b>CHECKED:</b> Darren M.	<b>ENGINEER:</b> Steve C.
<b>CUSTOMER:</b> MILL-MAX MFG. OYSTER BAY, NY	<b>DESCRIPTION:</b> .078" x .055" DISC ON TAPE & REEL
<b>APPROVAL:</b>	<b>DRAWING NUMBER:</b> 6405
	<b>REV.:</b> -

		<b>MILL-MAX MFG. CORP.</b> P.O. BOX 300, 190 PINE HOLLOW ROAD OYSTER BAY, N.Y. 11771-0300 TEL: (516) 922-6000, FAX: (516) 922-9253 WEB-SITE: www.MILL-MAX.com	
<b>FILE NAME:</b> MAX8/sockets/6405.drw		<b>SHEET 1 OF 1</b>	