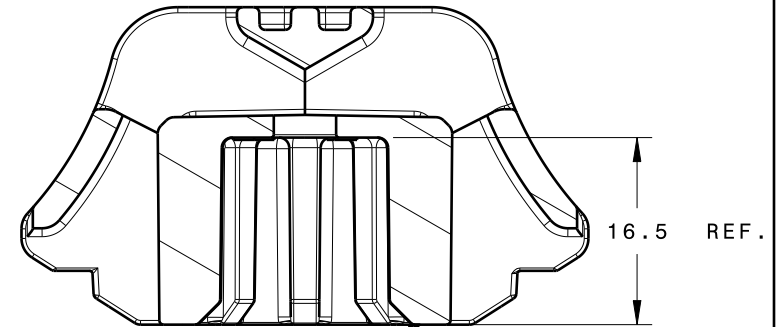
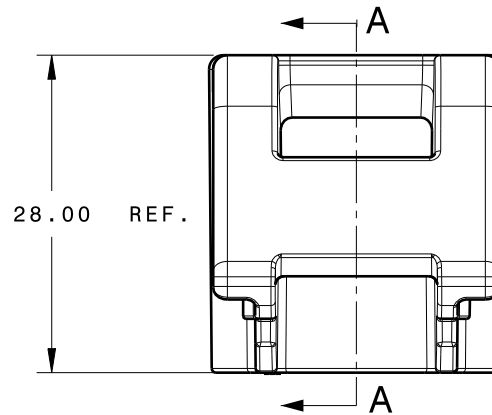
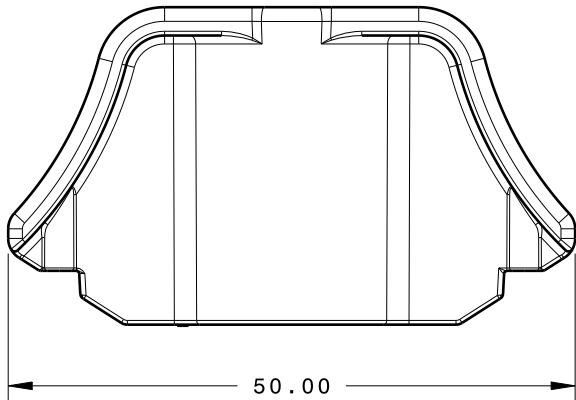
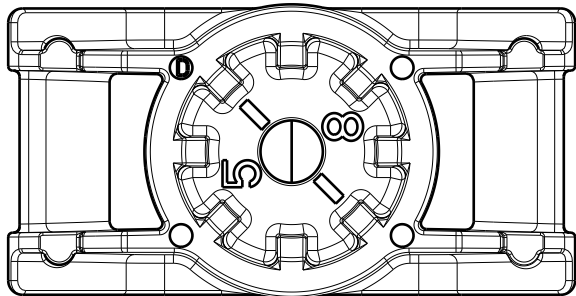


Isometric view  
Scale: 1:1



Section view A-A



INVENTORS

**HellermannTyton**<sup>®</sup>

ALL PROPRIETARY RIGHTS IN THE SUBJECT MATTER SHOWN ON THIS DRAWING ARE EXCLUSIVE PROPERTY OF HELLERMANNTYTON

name	date	city, state
SCOTT ADAMS	10/12/09	MENOMONEE FALLS, WI

REVISIONS

level	
by	SJA
date	3/31/10
ECN #	011484
part level	D

DIMENSIONS

TOOL PREPARATION	.XXXX = ± 0.250
	.XXX = ± 0.50
	.XX = ± 1.00
	.X = ± 2.00
	∠ = ± 1.00
	unless otherwise specified
units	millimeters

PART

number	HM6	phase	PRODUCTION
name			
5/8" SPIN-ON H-MOUNT			
material			
NYLON 6/6, IMPACT MODIFIED, HEAT STABILIZED, UV STABILIZED COLOR: BLACK			

DRAWING

FORMAT	AH	CAD	CATIA V5	SCALE	3:2
VERSION	J				
A- SIZE (landscape)_N01		previous drawing number			
drawn	S. ADAMS	checked	J. PASSILLA	approval	
	10/12/09		2/4/10		
type	CUSTOMER		sheet 1 of 1		
number	MT09-0354-012CST				