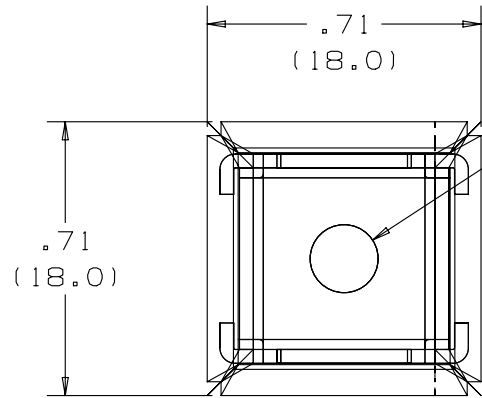
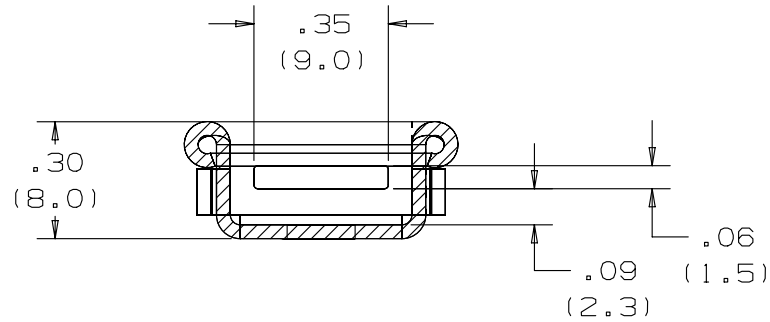


THIS COPY IS PROVIDED ON A RESTRICTED BASIS AND IS NOT TO BE USED IN ANY WAY DETRIMENTAL TO THE INTERESTS OF PANDUIT CORP.

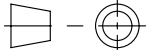


CLEARANCE FOR #8 [ 4mm ]  
MOUNTING SCREW  
.176 [ 4.5 ] DIA.

NOTES:

1. DIMENSIONAL TOLERANCES:  
 .XX ±.02 (.5)  
 .XXX ±.01 (.25)
2. USE WITH STD, LH & HVY CROSS SECTION MLT'S.
3. DIMS IN ( ) ARE mm.
4. MAXIMUM SCREW HEAD HEIGHT .09 (2.3)
5. STAINLESS STEE SCREWS ARE RECOMMENDED TO AVOID CORROSION PROBLEMS ASSOCIATED WITH DISSIMILAR METALS.
6. PACKAGE QTY: Q = 25

| REV | DATE  | BY   | CHK | APR  | DESCRIPTION  | ECN        |
|-----|-------|------|-----|------|--|------------|
| 03A | 3/13  | JAMB | MIM | RGRO | UPDATE DRAWING TO NEW PANDUIT GLOBAL TITLE BLOCK WITH PANDUIT LOGO. ORIG CAD FILE SPEC WAS S41074_02 | SSECN01031 |
| 02  | 8/04  | JAMB | JJB | JJB  | NOTE2: ADDED THE "LH" LIGHT-HEAVY MLT PRODUCT FOR USE WITH MTM2H TIE MOUNT                           | 11906      |
| 01  | 1/01  | KMD  | JAC | JAC  | ADDED NOTE 6. CAD FILE SPEC WAS N41074SA_PCD_00  | 09010      |
| 00  | 11/92 | BO   | JAC | LCA  | DRAWING RELEASED   | 01265      |

|                    |          |   |       |   |
|--------------------|----------|---|-------|---|
| TITLE              |          | <b>2-WAY METAL TIE MOUNT MTM2H</b>  |       |   |
|                    |          | CUSTOMER DRAWING  |       |   |
| ITEM REVISION NAME |          | N41074BS/03   |       |   |
| DATASET FILE NAME  |          | N41074BS/03   |       |   |
|                    |          | UNLESS OTHERWISE SPECIFIED,<br>DIMENSIONAL TOLERANCES ARE: IN [ mm ]  |       | <b>PANDUIT</b>                              |
|                    |          | .x ± .1 [ 2.54 ]      .xxx ± .005 [ .127 ]<br>.xx ± .01 [ .25 ]      ANGLES ± 5 °                               |       |   |
|                    |          |  THIRD ANGLE<br>PROJECTION |       | MATERIAL:<br><br><b>304 STAINLESS STEEL</b> |
|                    |          |   |       | DRAWING NUMBER:<br><b>N41074BS_DC</b>       |
| DRAWN BY           | DATE     | CHK   | SCALE | SIZE  |
| BJO                | 11/11/92 | JAC   | 2:1   | A   |
|                    |          | SHT 1 OF 1  |       |   |