

D

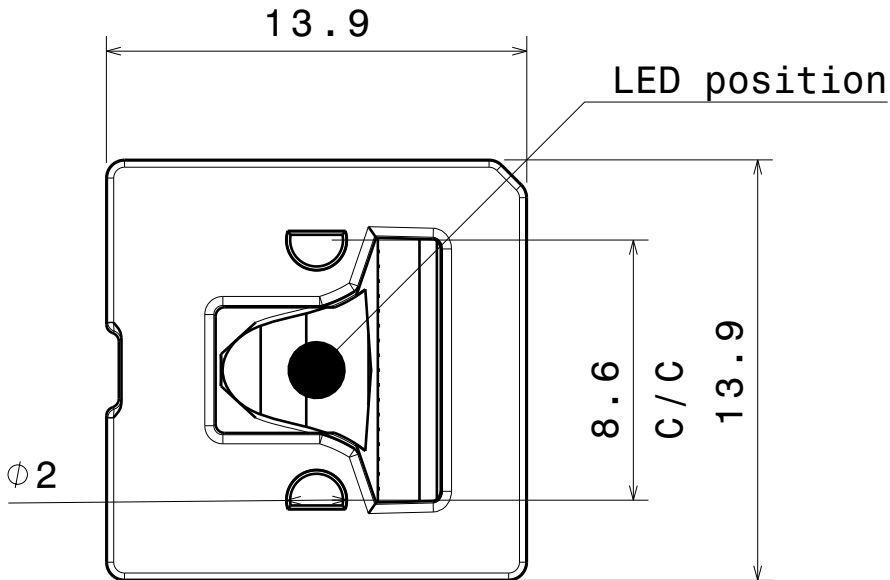
C

B

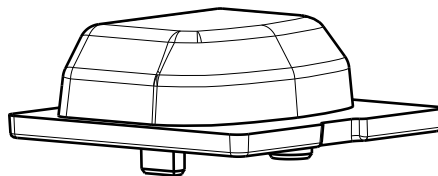
A

4

4



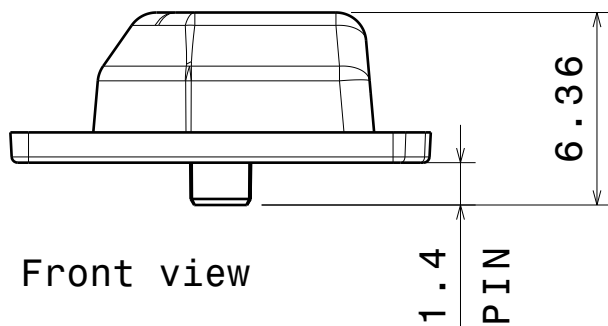
Bottom view



Isometric view
Scale: 3:1

3

3



Front view

2

2

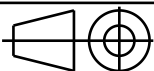
INDEX	PART NO	DESCRIPTION	MATERIAL	COLOUR
1	C14502	STRADELLA-T2	PMMA	Clear

Tolerances if not otherwise shown
According to DIN ISO 2768-1
Linear measures:
up to 30mm class M, otherwise class C
According to DIN ISO 2768-2
Form and position: class L

LEDiL

Ledil Oy
Salorankatu 10
FIN 24240 SALO
Finland

THIRD ANGLE PROJECTION:



DRAWING TITLE

C14502_STRADELLA-T2

This drawing is the property
of LEDiL Oy. It may not be
reproduced, copied or
communicated without a written
agreement with LEDiL Oy.

SIZE PART NUMBER

A4

C14502

SCALE 4:1 WEIGHT 0,518 g SHEET 1/1

1

1

D

A